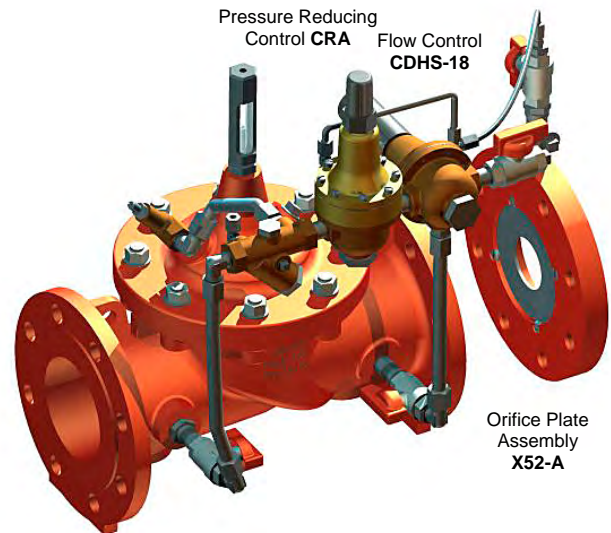
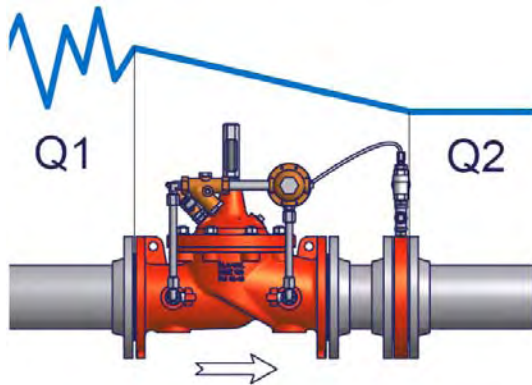


► Simple, Reliable and Accurate

- Completely Automatic Operation
- Easy Adjustment and Maintenance
- Quality Approved Materials
- World Wide Support

► CLA-VAL SERIES 40 Main Function



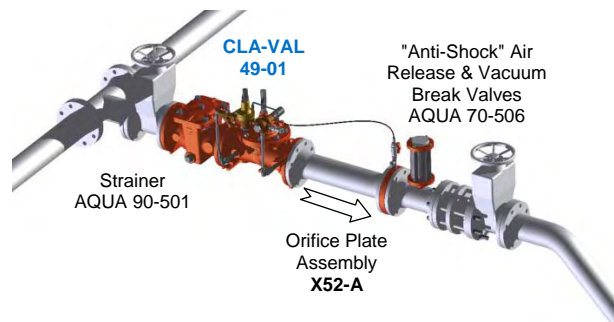
The CLA-VAL SERIES 40 is used to accurately limit excessive flow to a preselected maximum rate (Flow Control) regardless of changes in pressure and/or varying inlet flow.

The Orifice Plate Assembly is included.

► CLA-VAL 49-01 Typical Application

The CLA-VAL 49-01 is designed to reduce a high inlet pressure (P1) to a constant downstream pressure (P2) and to deliver a constant flow rate regardless of changing flow rate and/or varying inlet pressure.

The CLA-VAL 49-01 is typically installed where water to a system (small housing area, industry, irrigation, etc.) must be limited to a maximum flow rate and a maximum outlet pressure.



► Usual SERIES 40 Combinations

Main valve	100-01
Rate of Flow control	40-01
40-01 + Float control	40-CF9
40-01 + Check valve	41-01
40-01 + Solenoid on/off	43E/D-01
40-01 + Pressure sustaining	45-01
40-01 + Pressure reducing	49-01

► More Information

<input checked="" type="checkbox"/>	Schematic Diagram	Sheet #	049001FE
<input checked="" type="checkbox"/>	Quick Valve Selection		000121DE
<input checked="" type="checkbox"/>	Dimensions		000122DE
<input checked="" type="checkbox"/>	Pressure Ratings & Materials		000123DE

► Other Functions: Please Contact CLA-VAL