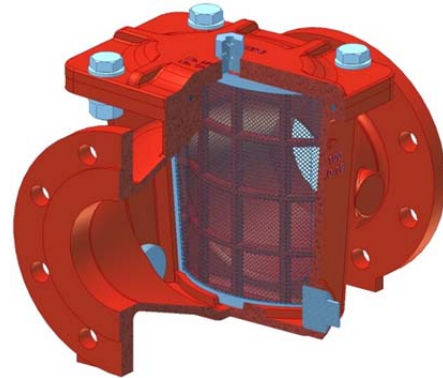


► Simple, Reliable and Accurate

- DN 40 to DN 800
- PN 10 - 16 - 25 - 40
- Max. temperature. 80°C

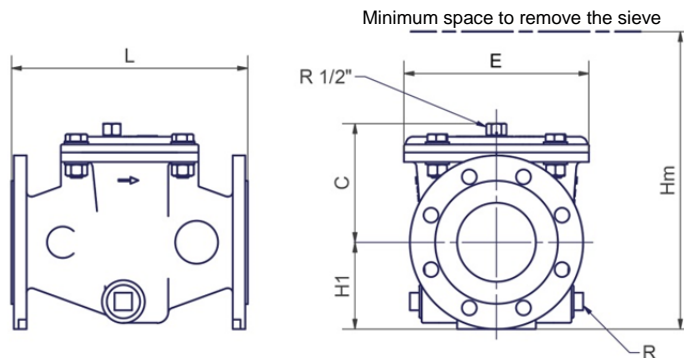


► AQUA 90-501 Operation and Installation

The AQUA 90-501 strainer is used when effective filtration is required. Of compact design, maintenance is fast and easy and requires only top cover removal. The flat stainless steel strainer mesh perpendicular to flow optimizes pressure drop. The AQUA 90-501 model can be equipped with a flushing manual override.

The strainer may be installed in any position, however installation with the cover on top side is recommended.

► AQUA 90-501 Dimensions



► AQUA 90-501 Materials

- **Body and cover:** Ductile iron EN-GJS-400-18 with epoxy coating
- **Strainer:** Stainless steel 316 on a ductile iron epoxy coated frame
- **Strainer mesh:** Standard 2.0 mm. (option: 1.0 mm or 1.5 mm)
- **Drilled flanges:** PN 10, PN 16, PN 25 or PN 40 for DN 40 - DN 200
- **Drilled flanges:** PN 10, PN 16, PN 25 for DN 250 - DN 800
- **Bolts:** Stainless steel 303

Dimensions

DN	40/50	60/65	80	100	125	150	200	250	300	350	400	450	500	600	700	800
L [mm]	230	230	300	300	400	400	500	580	610	650	800	800	950	1100	1150	1150
H1 [mm] (PN10-16)	82.5	92.5	103	110	125	142.5	170	225	227.5	260	310	335	485	485	485	513
H1 [mm] (PN25-40)	82.5	92.5	103	110	125	142.5	170	225	242.5	277.5	310	335	485	485	485	543
C [mm]	96	96	150	150	191	191	224	295	385	380	500	500	609	609	609	609
E [mm]	200	200	235	235	400	400	460	560	680	680	900	900	1190	1190	1190	1190
Hm [mm]	340	340	450	450	620	620	700	950	1150	1150	1430	1430	2070	2070	2070	2070
R ["]	R 1 1/4"								R 2"				R 3"			
Weight [kg]	13.8	14.6	22	23	46	48	76	165	230	250	410	430	770	850	950	998

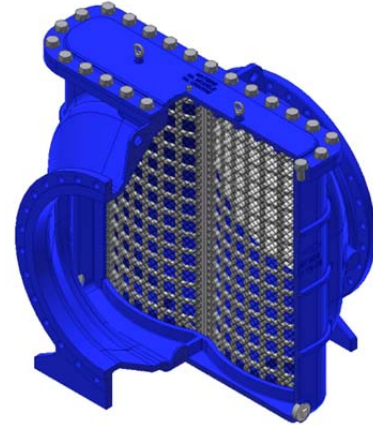
Flow coefficient

Kv [m ³ /h]	83	187	306	565	806	1422	2527	3949	5687	7741	10111	12796	15798	22749	27695	33021
Cv [l/s]	23	52	85	157	224	395	702	1097	1580	2150	2809	3555	4388	6319	7693	9172
K -	0.6	0.6	0.7	0.5	0.6	0.4	0.4	0.4	0.4	0.4	0.4	0.4	0.4	0.4	0.5	0.6

Kv or Cv = m³/h or l/s @ 100 kPa (1 bar) pressure drop for a water at 15°C.

► Simple, Reliable and Accurate

- DN 900 to DN 1400
- PN 10 - 16
- Max. temperature. 80°C

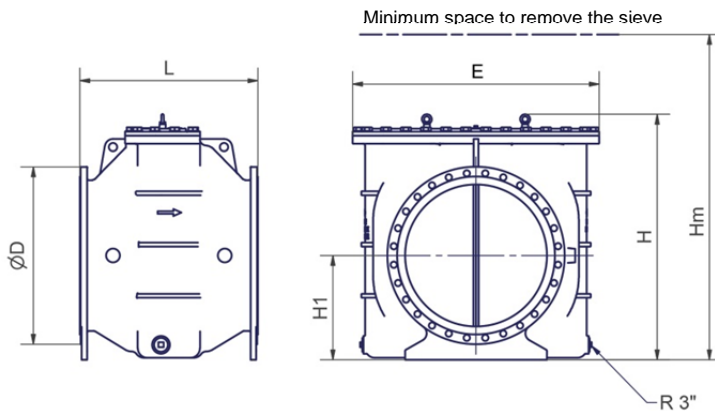


► AQUA 90-501 Operation and Installation

The AQUA 90-501 strainer is used when effective filtration is required. Of compact design, maintenance is fast and easy and requires only top cover removal. The flat stainless steel strainer mesh perpendicular to flow optimizes pressure drop. The AQUA 90-501 model can be equipped with a flushing manual override

The strainer may be installed in any position, however installation with the cover on top side is recommended.

► AQUA 90-501 Dimensions



► AQUA 90-501 Materials

- **Body and cover:** Ductile iron EN-GJS-600-3 with epoxy coating
- **Strainer:** Stainless steel 316 on a ductile iron epoxy coated frame
- **Strainer mesh:** Standard 8.0 mm. (option: 2.0 mm)
- **Drilled flanges:** PN 10 & PN 16
- **Bolts:** Stainless steel 316

Dimensions				
DN	900	1000	1200	1400
L [mm]	1130	1140	1140	1150
H1 [mm]	660.5	698.5	863.5	965
H [mm]	1580	1580	1730	1830
Hm [mm]	2820	2820	2980	3080
Ø D [mm]	1125	1255	1485	1685
E [mm]	1566	1566	1566	1566
Weight [kg]	1870	1950	2080	2190