



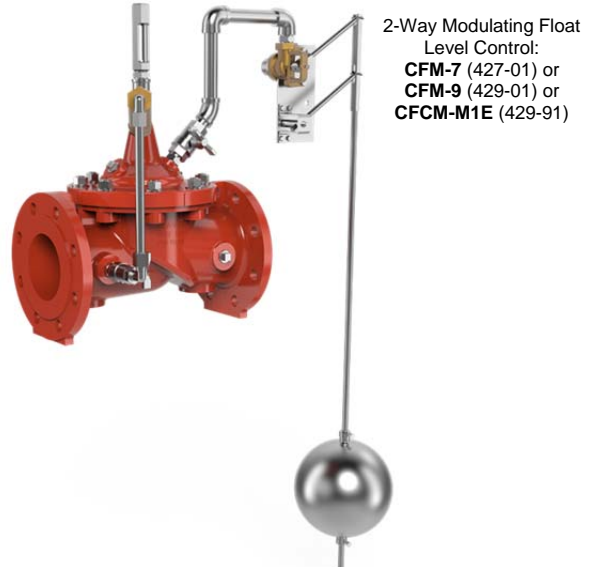
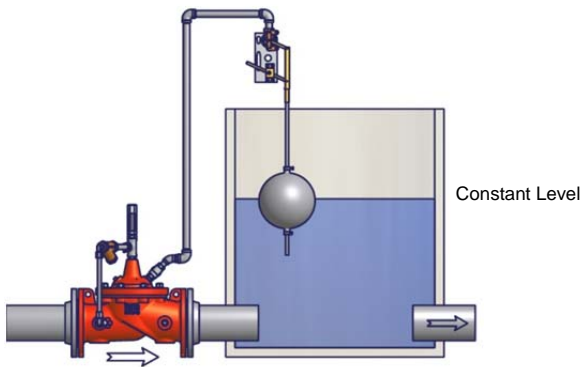
CLA-VAL 427-01 & 429-01/91

Modulating Float Level Control Valve

► Simple, Reliable and Accurate

- Completely Automatic Operation
- Easy Adjustment and Maintenance
- Quality Approved Materials
- World Wide Support

► CLA-VAL SERIES 420 Main Function



2-Way Modulating Float Level Control:
CFM-7 (427-01) or
CFM-9 (429-01) or
CFCM-M1E (429-91)

The CLA-VAL SERIES 420 Modulating Float Level Control Valve maintains a constant water level in a reservoir by compensating for variations in supply or demand. It can be installed to control the flow into or out of the reservoir by closing on rising level or opening on decreasing level.

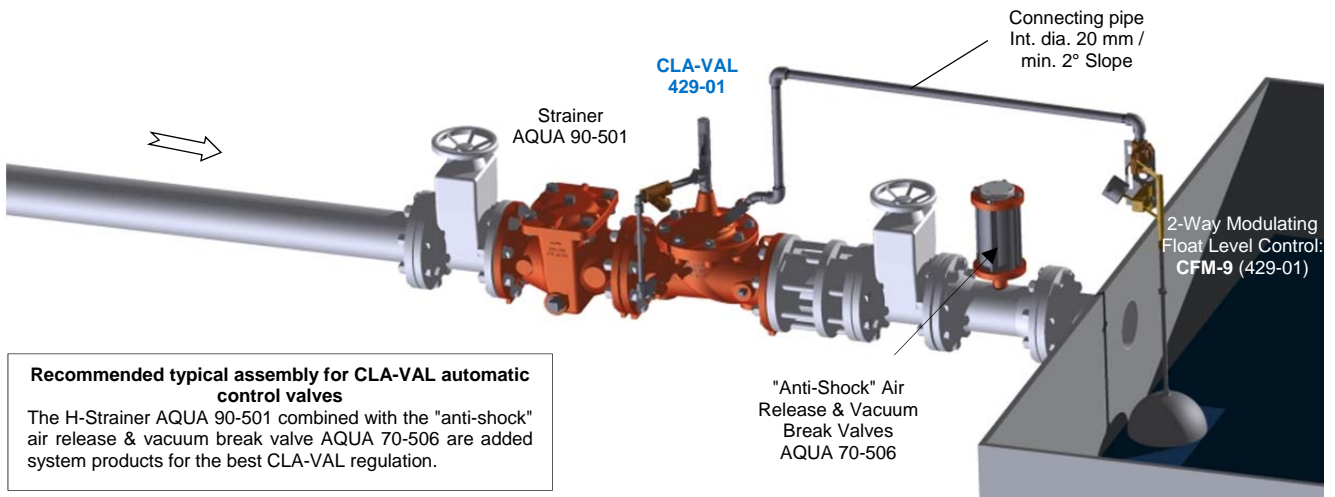
► CLA-VAL 427-01 & CLA-VAL 429-01/91 Typical Application

The CLA-VAL 429-01 is a self-stabilizing Modulating Float Level Control Valve which maintains a constant liquid level. A slight change in liquid level moves the Float Control which makes the main valve to seek a new position. The CLA-VAL 429-01 is designed for high pressure system networks ($P < 16\text{bar}$) and where tank levels change rapidly. The CLA-VAL 429-01 is recommended for 150 mm and less.

Make your valve even Better!

LFS Option?	<u>Control</u> Low flows or night flows
KO Option?	<u>Extend</u> valve life with Anti-Cavitation trim
KG1 Option?	<u>Use</u> stem cleaning for harsh water
Maintenance?	<u>Check</u> on periodic maintenance
Environment?	<u>Adapt</u> to high temperatures or frost risk
Security?	<u>Add</u> hydraulic safety back-up to your valve
Protection?	<u>Remove</u> excessive system overpressures
Corrosion?	<u>Protect</u> your valve with upgraded materials

Not just Products but Solutions: contact CLA-VAL!



Recommended typical assembly for CLA-VAL automatic control valves

The H-Strainer AQUA 90-501 combined with the "anti-shock" air release & vacuum break valve AQUA 70-506 are added system products for the best CLA-VAL regulation.