

### ► Simple, Reliable and Accurate

#### ► CLA-VAL SERIES 100 Main Function

The CLA-VAL 100-01 HYTROL Valve is a hydraulically operated, diaphragm actuated, globe or angle pattern valve.

It consists of three major components: body, diaphragm assembly and cover. The diaphragm assembly is the only moving part, guided top and bottom by a precision machined stem. The disc retainer and rubber disc form a drip-tight seal with the renewable seat when pressure is applied above the diaphragm (cover chamber).

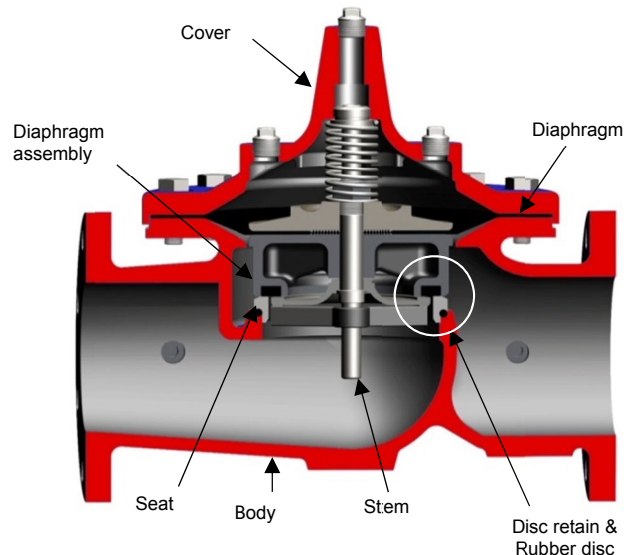
The CLA-VAL 100-01 is the basic valve used in nearly in all CLA-VAL Automatic Control Valves.

There are 3 HYTROL body types:

NGE: New Globe Execution

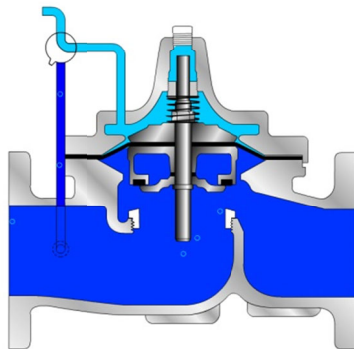
GE: Globe Execution

AE: Angle Execution



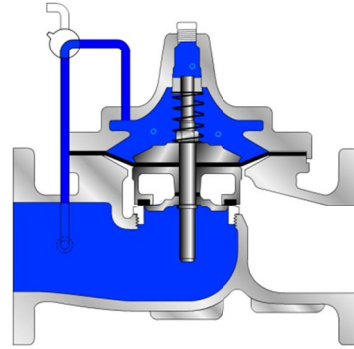
#### ► CLA-VAL 100-01 Principle of Operation

On/Off Control



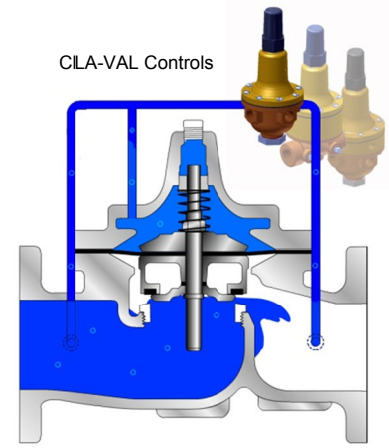
**Full Open Operation:**  
When pressure in the cover chamber is relieved to a lower pressure or to atmosphere, the pressure inlet opens the valve.

On/Off Control



**Tight Closing Operation:**  
When pressure from the inlet pressure is applied to the cover chamber, the valve closes drip-tight.

CLA-VAL Controls



**Modulating Control:**  
The valve is pressure operating balanced. The CLA-VAL "Modulating" Controls will allow the valve to automatically compensate for pressure changes.

#### ► Usual Main Valves

HYTROL Main Valve / HYTROL NGE-316	100-01
TYTAN Main Valve	100-01
HYTROL Auxiliary Valve	000130TT
ROLL SEAL Main Valve	100-42
DELUGE Main Valve	100G

#### ► More Information

<input checked="" type="checkbox"/> Component Datasheet	Sheet #
<input checked="" type="checkbox"/> Quick Valve Selection	HYN001TT
<input checked="" type="checkbox"/> Dimensions	000121DE
<input checked="" type="checkbox"/> Pressure Ratings & Materials	000122DE-1
	000123DE

Other Functions: Please Contact CLA-VAL