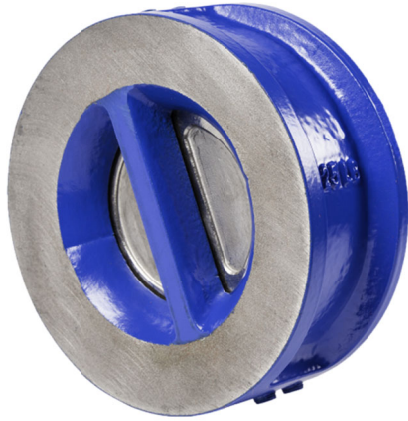




CLA-VAL Series 582

Two-Door Wafer Check Valve

► Simple, Reliable and Accurate



**Meets the Federal
Mandate Limiting Lead
in Drinking Water**

- **Low Head Loss**
- **Resilient Seat**
- **Non-Slam Closure**
- **Stabilizer Spheres Prevent Vibration Wear**

The CLA-VAL Series 582 Two-Door Wafer Check Valve has torsion springs that force the two doors to shut before flow reversal, reducing the water hammer potential that normally occurs with single-door swing check valves. To help reduce water hammer, the two-door design also reduces the travel distance from open to shutoff for a quicker response. Extremely short in lay length, the valve is both a compact and economical solution. Two-Door Wafer Check Valves are available in sizes 2" to 36". Valve sizes 2" - 6" are dual rated to 150 and 300 pressure classes. Valve sizes 8" - 36" are rated to 150 pressure class.

Although lighter in weight than globe style swing check valves, CLA-VAL Two-Door Wafer Check Valves are designed for heavy-duty applications. For ease of installation, valves 10" and larger are supplied with a tapped hole for installing a lifting eye bolt.

► Specifications

The two-door wafer check valve shall be compact wafer design to fit between ANSI flanges. The check valve doors shall be spring-loaded closed, by means of one or more heavy-duty stainless steel torsion springs. Flow shall cause the doors to open and upon pump shut down, the torsion spring will shut the doors, before reverse flow starts, for non-slam closure.

Seating shall be resilient Buna-N[®], watertight and molded to the body. Valves 10" and larger shall be supplied with an eye bolt for lifting. The valve shall be a CLA-VAL Series 582 Valves sizes 2" - 6" with alignment grooves for mounting between 150 or 300 lb. flanges. Valves sizes 8" - 36" inches will be wafer style to be mounted between 150 lb. flanges.

► Materials

Valve Body:

Ductile Iron - ASTM 536 65-45-12

Doors:

Aluminum Bronze ASTM B148

Disc & Seat:

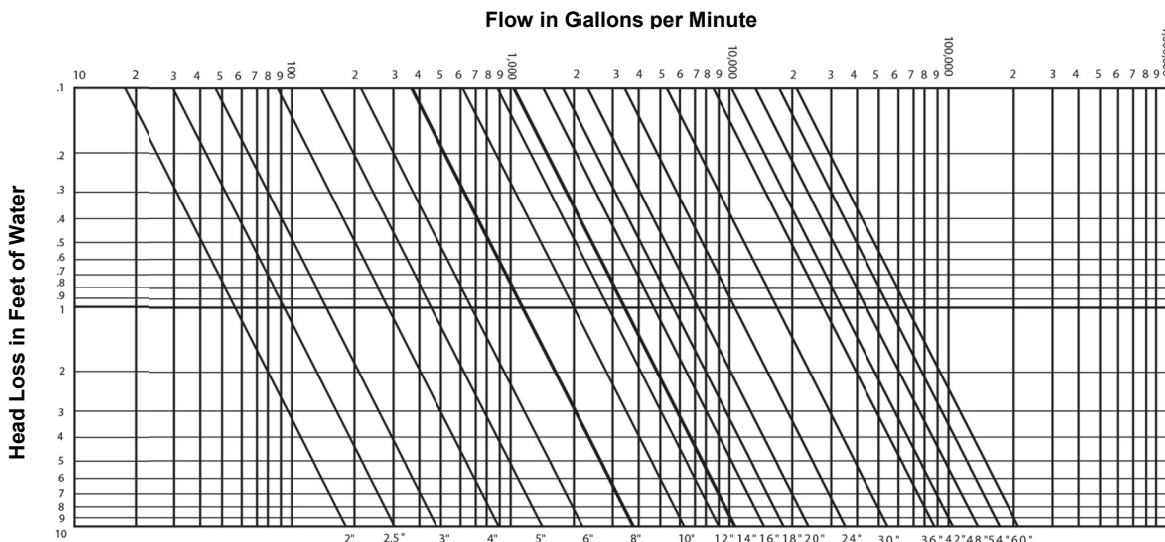
Stainless Steel

Spring:

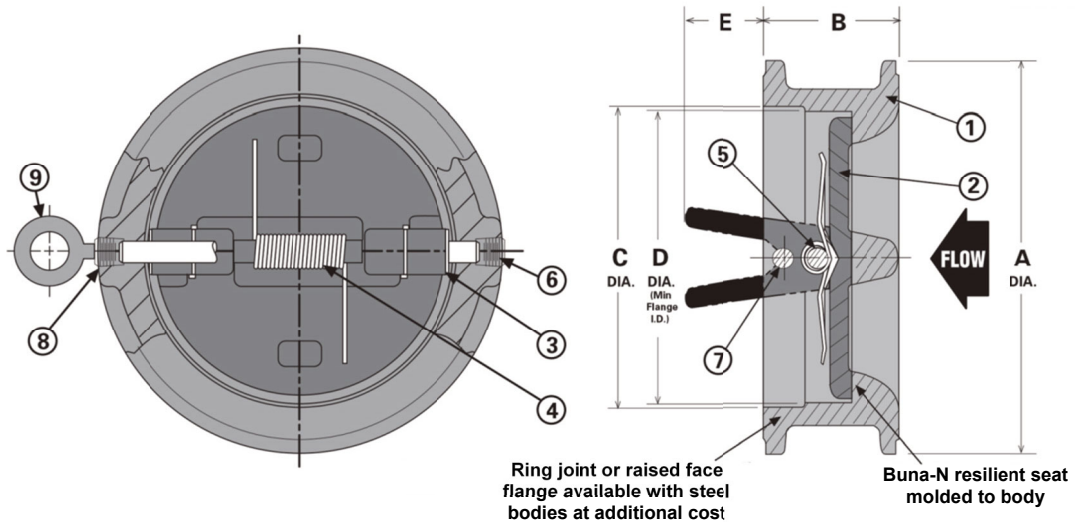
Stainless Steel

Note: Standard offering is two-part epoxy coating interior and exterior

Lug pattern available
- consult factory



► Dimensions



In [mm]

Size mm / Inch	Class	A	B	C	D	E	Weight [kg]
50 / 2"	125	102	54	65	48	5	2
	150	102	60	65	25	-	3
	250	108	54	65	48	5	4
	300	108	60	65	25	-	4
65 / 2.5"	125	121	60	79	60	10	4
	150	121	67	79	51	6	4
	250	127	60	79	60	10	5
	300	127	67	79	51	6	5
80 / 3"	125	133	67	89	76	13	5
	150	133	73	89	70	6	5
	250	146	67	89	76	13	7
	300	146	73	89	70	6	7
*100 / 4"	125	171	67	114	111	29	5
	150	171	73	114	102	22	6
	250	178	67	114	111	29	9
	300	178	73	114	102	22	10
125 / 5"	125-150	171	67	114	111	29	14
	250-300	213	83	141	127	32	15
*150 / 6"	125	219	95	168	152	38	14
	150	219	98	168	149	35	15
	250	248	95	168	152	38	18
	300	248	98	168	149	35	20
*‡ 200 / 8"	125-150	276	127	222	197	38	24
	250-300	305	127	222	197	38	32
*‡ 250 / 10"	125	337	140	273	254	67	29
	150	337	146	273	248	60	45
	250	359	140	273	254	67	50
	300	359	146	273	248	60	52

Size mm / Inch	Class	A	B	C	D	E	Weight [kg]
*‡ 300 / 12"	125-150	406	181	324	276	67	68
	250-300	419	181	324	276	67	100
350 / 14"	125-150	448	184	356	330	89	100
	250-300	483	222	356	305	51	200
400 / 16"	125-150	511	191	406	381	108	125
	250-300	546	232	406	356	67	249
450 / 18"	125-150	546	203	457	432	124	136
	250-300	594	264	457	406	64	302
500 / 20"	125	591	213	508	457	171	147
	150	603	219	508	457	165	222
	250	651	292	508	432	92	204
	300	651	292	508	432	92	363
600 / 24"	125-150	714	222	610	575	225	318
	250-300	772	318	610	533	130	515
750 / 30"	125-150	879	305	762	727	283	499
	250-300	946	368	762	695	219	635
900 / 36"	125-150	1045	368	914	864	314	689
	250-300	1111	479	914	838	203	862
1100 / 42"	125-150	1216	432	1067	1026	384	1361
	250-300	1286	568	1067	991	248	1588
1200 / 48"	125-150	1381	524	1219	1184	429	2041
	250-300	1489	629	1219	1159	324	2495
1400 / 54"	125-150	1546	540	1372	1343	498	3039
	250-300	-	-	-	-	-	-
1500 / 60"	125	1708	635	1511	1270	406	3402
	150	-	-	-	-	-	-
	250	-	-	-	-	-	-
	300	-	-	-	-	-	-

* FM - valves are factory mutual approved (125 & 250 lb.)

‡ This size valve Underwriters Laboratories listed (125 lb.)

Note: Two or more springs used on sizes 14" (350 mm) & larger.



CLA-VAL Series 582

Two-Door Wafer Check Valve

In [inch]

Size Inch / mm	Class	A	B	C	D	E	Weight [lbs]
2" / 50	125	4"	2.125"	2.563"	1.875"	.188"	5
	150	4"	2.375"	2.563"	1"	-	6
	250	4.25"	2.125"	2.563"	1.875"	.188"	8
	300	4.25"	2.375"	2.563"	1"	-	8
2.5" / 65	125	4.75"	2.375"	3.125"	2.375"	.375"	8
	150	4.75"	2.625"	3.125"	2"	.25"	8
	250	5"	2.375"	3.125"	2.375"	.375"	11
	300	5"	2.625"	3.125"	2"	.25"	12
3" / 80	125	5.25"	2.625"	3.5"	3"	.5"	10
	150	5.25"	2.875"	3.5"	2.75"	.25"	11
	250	5.75"	2.625"	3.5"	3"	.5"	15
	300	5.75"	2.875"	3.5"	2.75"	.25"	16
*4" / 100	125	6.75"	2.625"	4.5"	4.375"	1.125"	12
	150	6.75"	2.875"	4.5"	4"	.875"	14
	250	7"	2.625"	4.5"	4.375"	1.125"	20
	300	7"	2.875"	4.5"	4"	.875"	22
5" / 125	125-150	6.75"	2.625"	4.5"	4.375"	1.125"	30
	250-300	8.375"	3.25"	5.563"	5"	1.25"	33
*6" / 150	125	8.625"	3.75"	6.625"	6"	1.5"	30
	150	8.625"	3.875"	6.625"	5.875"	1.375"	32
	250	9.75"	3.75"	6.625"	6"	1.5"	40
	300	9.75"	3.875"	6.625"	5.875"	1.375"	44
*‡ 8" / 200	125-150	10.875"	5"	8.75"	7.75"	1.5"	52
	250-300	12"	5"	8.75"	7.75"	1.5"	70
*‡ 10" / 250	125	13.25"	5.5"	10.75"	10"	2.625"	63
	150	13.25"	5.75"	10.75"	9.75"	2.375"	100
	250	14.125"	5.5"	10.75"	10"	2.625"	110
	300	14.125"	5.75"	10.75"	9.75"	2.375"	115
*‡ 12" / 300	125-150	16"	7.125"	12.75"	10.875"	2.625"	150
	250-300	16.5"	7.125"	12.75"	10.875"	2.625"	220
14" / 350	125-150	17.625"	7.25"	14"	13"	3.5"	220
	250-300	19"	8.75"	14"	12"	2"	440
16" / 400	125-150	20.125"	7.5"	16"	15"	4.25"	275
	250-300	21.5"	9.125"	16"	14"	2.625"	550
18" / 450	125-150	21.5"	8"	18"	17"	4.875"	300
	250-300	23.375"	10.375"	18"	16"	2.5"	665
20" / 500	125	23.25"	8.375"	20"	18"	6.75"	325
	150	23.75"	8.625"	20"	18"	6.5"	490
	250	25.625"	11.5"	20"	17"	3.625"	450
	300	25.625"	11.5"	20"	17"	3.625"	800
24" / 600	125-150	28.125"	8.75"	24"	22.625"	8.875"	700
	250-300	30.375"	12.5"	24"	21"	5.125"	1135
30" / 750	125-150	34.625"	12"	30"	28.625"	11.125"	1100
	250-300	37.25"	14.5"	30"	27.375"	8.625"	1400
36" / 900	125-150	41.125"	14.5"	36"	34"	12.375"	1520
	250-300	43.75"	18.875"	36"	33"	8"	1900
42" / 1100	125-150	47.875"	17"	42"	40.375"	15.125"	3000
	250-300	50.625"	22.375"	42"	39"	9.75"	3500
48" / 1200	125-150	54.375"	20.625"	48"	46.625"	16.875"	4500
	250-300	58.625"	24.75"	48"	45.625"	12.75"	5500
54" / 1400	125-150	60.875"	21.25"	54"	52.875"	19.625"	6700
	250-300	-	-	-	-	-	-
60" / 1500	125	67.25"	25"	59.5"	50"	16"	7500
	150	-	-	-	-	-	-
	250	-	-	-	-	-	-
	300	-	-	-	-	-	-

* FM - valves are factory mutual approved (125 & 250 lb.)

‡ This size valve Underwriters Laboratories listed (125 lb.)

Note: Two or more springs used on sizes 14" (350 mm) & larger.

Notes:

Install the CLA-VAL Series 582 Two-Door Wafer Check Valve between two standard flanges in the horizontal or vertical, flow up position.

For horizontal flow, this valve must be installed with disc hinge pin in the vertical position to ensure proper operation.