



— MODEL — **351GF-15**

Hydrant Coupler



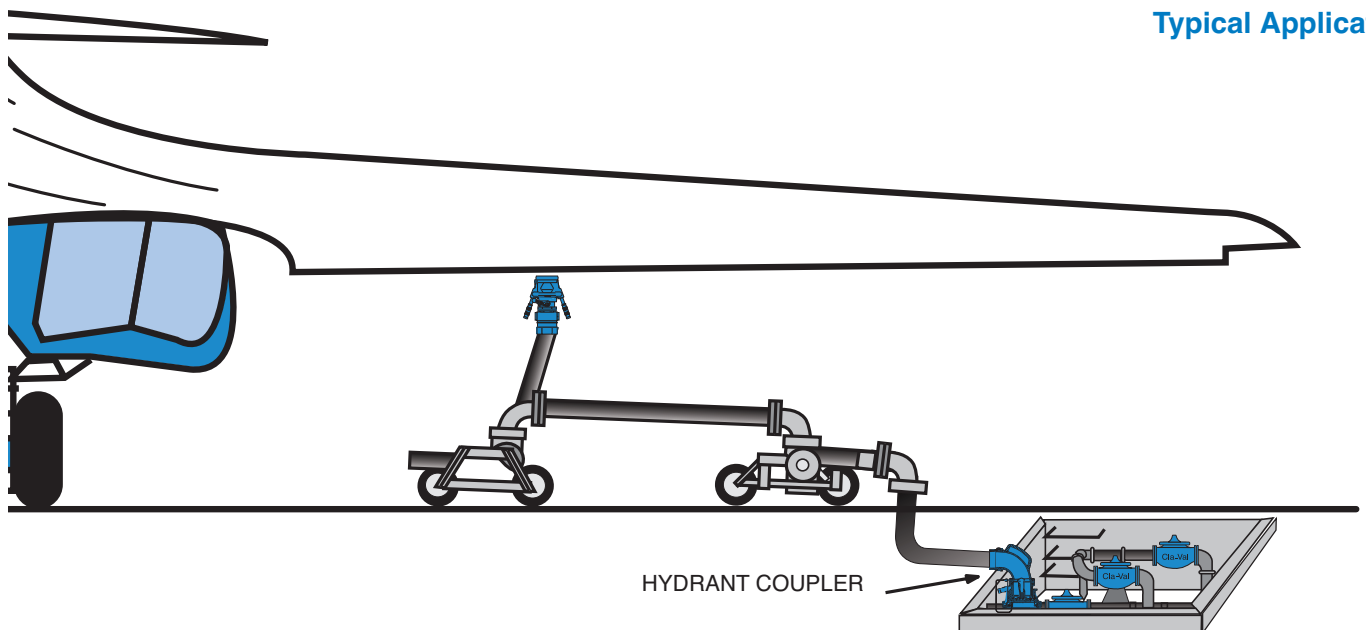
- Large Radius Elbow Provides Lower Pressure Loss
- Rugged Carrying Handle
- Available with either 4" Elbow or Transition Elbow for 3" Discharge Connections
- Coupler can Swivel 360° After Connection to Adapter
- Aluminum/Stainless Steel Internals
- Temperature Range -40° to +180° F

The Cla-Val Model 351GF-15 Hydrant Coupler connects to most available hydrant pit adapter or hydrant pit valve to allow pressurized delivery of fuel to aircraft. Constructed of high-strength stainless steel and aluminum for optimum durability. To maximize safe refueling, the operating handle of the Cla-Val

351GF-15 Hydrant Coupler cannot be rotated when the coupler is not connected to an adapter. When the coupler is connected to an adapter, the operating handle must be in the fully closed position to remove the coupler. To reduce overall pressure loss, the Cla-Val 351GF-15 Hydrant Coupler features a large radius elbow.

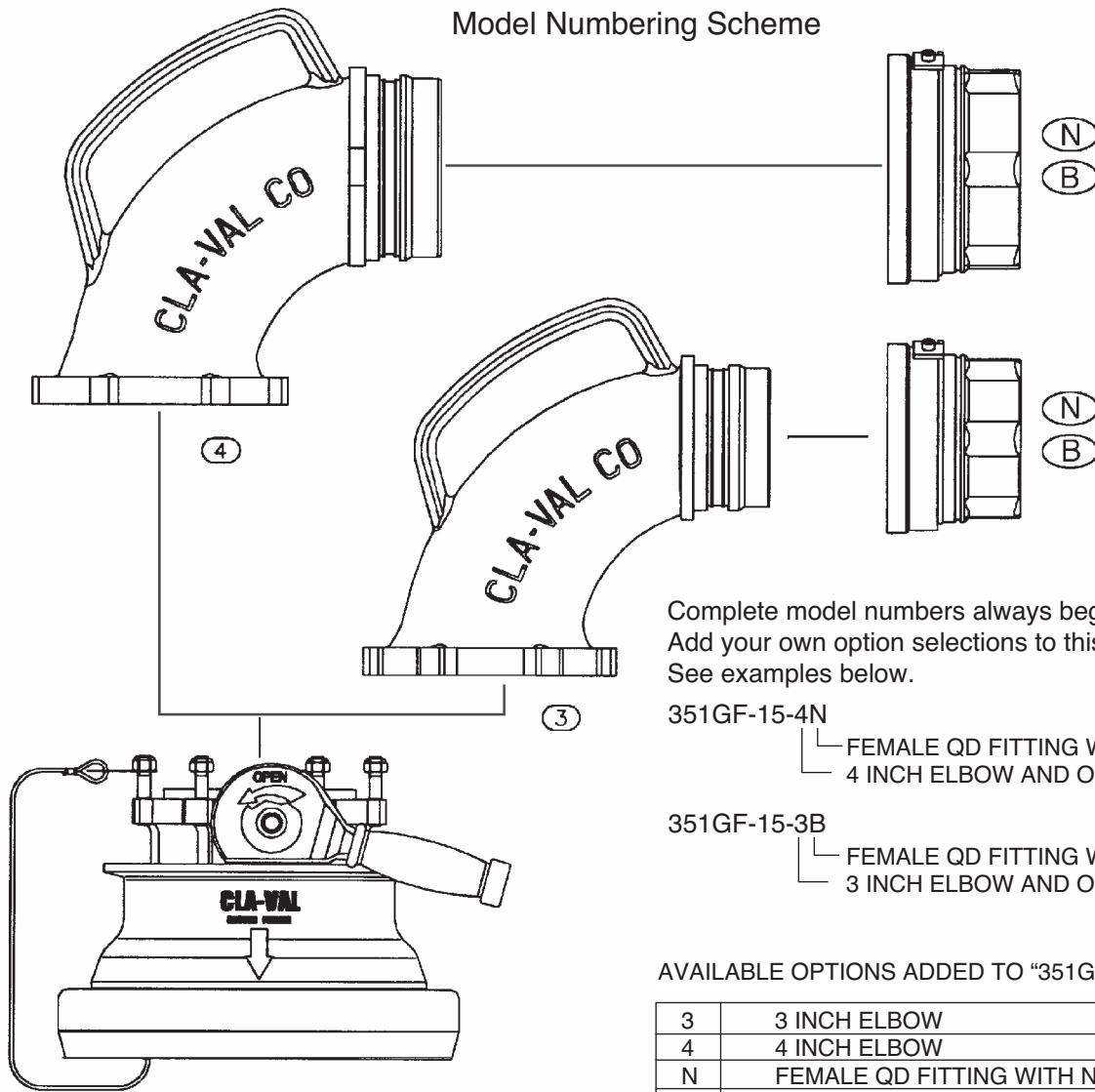
Lower head loss means faster refueling times. The coupler is available with either a 4" elbow or a transition elbow for a 3" discharge connection. Both elbows also include rugged carrying handles.

Typical Application



351GF-15 Hydrant Coupler

Model Numbering Scheme



Complete model numbers always begin with "351GF-15". Add your own option selections to this base model number. See examples below.

351GF-15-4N

- └ FEMALE QD FITTING WITH NPT THREADS
- └ 4 INCH ELBOW AND OUTLET

351GF-15-3B

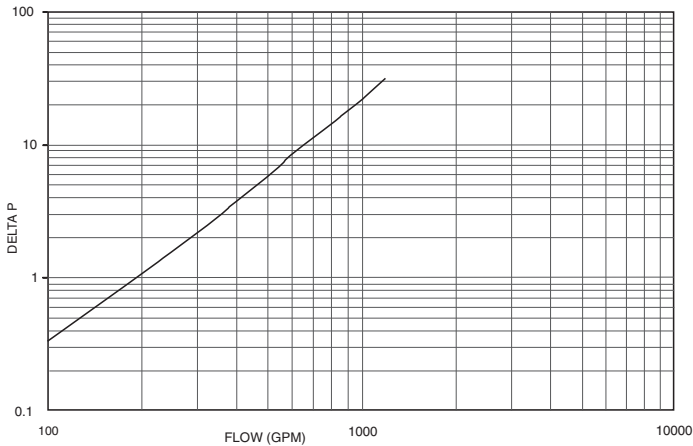
- └ FEMALE QD FITTING WITH BSPP THREADS
- └ 3 INCH ELBOW AND OUTLET

AVAILABLE OPTIONS ADDED TO "351GF-15"

3	3 INCH ELBOW
4	4 INCH ELBOW
N	FEMALE QD FITTING WITH NPT THREADS
B	FEMALE QD FITTING WITH THREADS

351GF-15 3" HYDRANT COUPLER

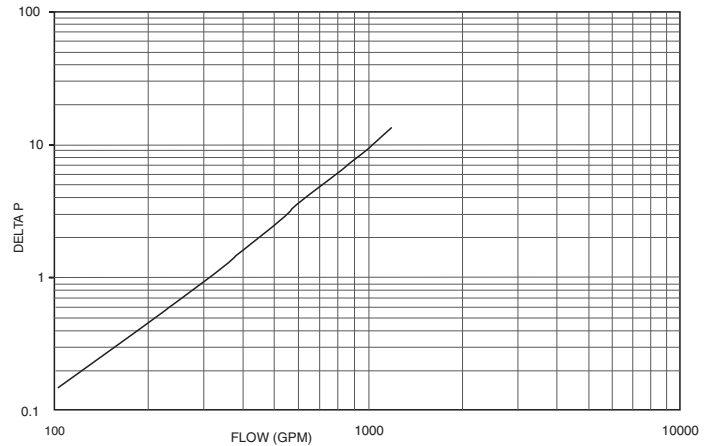
FLOW CURVE FOR CLA-VAL P/N 200077-01D



351GF-15 3" - weight 21.4 lbs.

351GF-15 4" HYDRANT COUPLER

FLOW CURVE FOR CLA-VAL P/N 29725-01H



351GF-15 4" - weight 22.8lbs.