



— MODEL — **134-05**

Solenoid Operated Deluge Valve



- **UL Listed / ULC Listed Main Valves - 3 - 12 inch sizes***
- **Fast Acting Solenoid Control**
- **Reliable Drip Tight Shut-off**
- **Simple Design, Proven Reliable**
- **Easy Installation & Maintenance**

The Cla-Val Model 134-05 Solenoid Control Valve is an on-off control valve which either opens or closes upon receiving an electrical signal to the solenoid pilot control. This valve consists of a 100G/2100G UL/ULC Listed Hytrol Main Valve, a three-way solenoid valve and an auxiliary pilot valve. This pilot control system alternately applies pressure to/or relieves pressure from the diaphragm chamber of the main valve. It is furnished either normally open (de-energize solenoid to open) or normally closed (energize solenoid to open).

Note: For seawater applications use 100GS/2100GS main valve

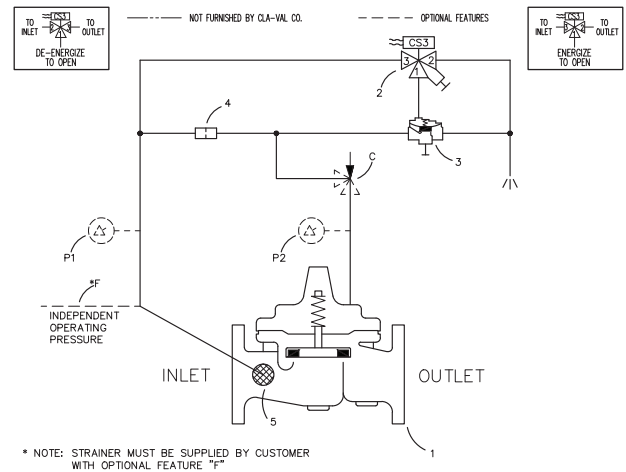
Please note that the UL and ULC Listings apply to the 100G/2100G Hytrol Main Valve equipped with the trim configuration of Model 134-05

Schematic Diagram

Item	Description
1	100G/2100G UL/ULC Listed Hytrol Main Valve
2	CS3 Solenoid Control
3	100-01 Hytrol Pilot Valve
4	X58C Restriction Orifice
5	X46A Flow Clean Strainer

Optional Features

Item	Description
C	CV Flow Control (closing)
F	Independent Operating Pressure
P	X141 Pressure Gauge



Specifications

SIZES	Globe: 3" - 12" flanged Globe: 3" - 8" grooved Angle: 3" - 12" flanged
END DETAILS	Ductile Iron 150 ANSI B16.42 flanged Ductile Iron 300 grooved Cast Steel 150 ANSI B16.5 flanged
PRESSURE RATINGS	150 class, 250 psi maximum (Ductile Iron) 150 class, 285 psi maximum (All other materials) 300 class, 300 psi maximum (All materials)
TEMPERATURE RANGE	Water: to 180° F. Max

Materials

Main valve body & cover:

Ductile Iron ASTM A-536*
Cast Steel ASTM A216-WCB*
Naval Bronze ASTM B61
Nickel Aluminum Bronze ASTM B148
Super Duplex Stainless Steel
Stainless Steel ASTM A743-CF-8M

Main valve trim:

Bronze / Stainless Steel

Pilot control system:

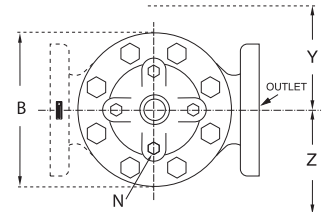
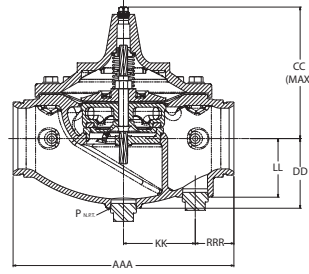
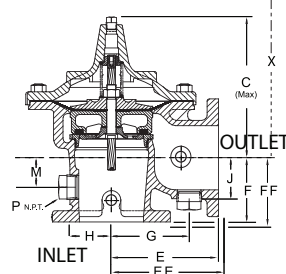
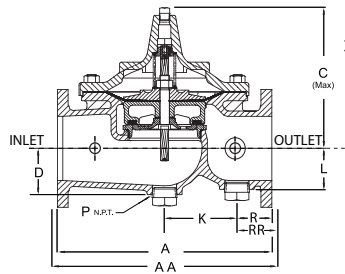
Cast Bronze ASTM B62
UL /ULC Listed 3" - 12"

Cover Capacity

Valve Size	Displacement
3"	.080 gal
4"	.169 gal
6"	.531 gal
8"	1.26 gal
10"	2.51 gal
12"	4.00 gal

Functional Data

Valve Size	Inches	3	4	6	8	10	12	
	mm	80	100	150	200	250	300	
C _V Factor	Globe Pattern	Gal./Min. (gpm)	115	200	440	770	1245	1725
	Angle Pattern	Litres/Sec. (l/s)	27.6	48	105.6	184.8	299	414
C _V Factor	Globe Pattern	Gal./Min. (gpm)	139	240	541	990	1575	2500*
	Angle Pattern	Litres/Sec. (l/s)	33.4	58	130	238	378	600



Valve Size (in.)	3	4	6	8	10	12	Valve Size (mm)	80	100	150	200	250	300
A 150 ANSI	12.00	15.00	20.00	25.38	29.75	34.00	A 150 ANSI	305	381	508	645	756	864
AA 300 ANSI	13.25	15.62	21.00	26.38	31.12	35.50	AA 300 ANSI	337	397	533	670	791	902
AAA Grooved	12.50	15.00	20.00	25.38	—	—	AAA Grooved	318	381	508	645	—	—
B Dia.	9.12	11.50	15.75	20.00	23.62	28.00	B Dia.	232	292	400	508	600	711
C Max.	8.19	10.62	13.38	16.00	17.12	21.00	C Max.	208	270	340	406	435	533
CC Max.	7.50	9.94	12.13	15.00	—	—	CC Max.	191	252	308	381	—	—
D	2.56	3.19	4.31	5.16	8.50	9.39	D	65	81	110	131	216	239
DD	3.62	4.50	6.31	7.81	—	—	DD	92	114	160	198	—	—
E 150 ANSI	7.00	8.50	10.00	12.69	14.88	17.00	E 150 ANSI	178	216	254	322	378	432
EE 300 ANSI	—	8.81	10.50	13.19	—	17.75	EE 300 ANSI	—	224	267	350	—	451
F 150 ANSI	4.00	4.97	6.00	8.00	8.62	13.75	F 150 ANSI	102	126	152	203	219	349
FF 300 ANSI	—	5.28	6.50	8.50	—	14.50	FF 300 ANSI	—	134	165	216	—	368
G	4.75	5.94	7.25	8.50	10.50	17.00	G	121	151	184	216	267	432
H	2.69	2.81	3.88	5.31	6.56	7.00	H	68	71	99	135	167	178
J	2.56	2.81	3.81	4.81	5.81	7.00	J	65	71	97	122	148	178
K	7.00	4.03	6.75	17.00	15.50	21.00	K	178	102	171	432	394	533
KK	3.50	4.56	6.50	7.00	—	—	KK	89	116	165	178	—	—
L	2.56	2.81	3.81	4.81	8.50	9.39	L	65	71	97	122	216	239
LL	3.25	4.00	5.31	7.00	—	—	LL	83	102	135	178	—	—
M	1.75	2.41	2.75	4.00	4.24	8.75	M	45	61	70	102	108	222
N NPT	1/2 - 14	3/4 - 14	3/4 - 14	1 - 11-1/2	1 - 11-1/2	1 - 11-1/2	N NPT	1/2 - 14	3/4 - 14	3/4 - 14	1 - 11-1/2	1 - 11-1/2	1 - 11-1/2
P NPT	1-1/4 - 11-1/2	2 - 11-1/2					P NPT	1-1/4 - 11-1/2	2 - 11-1/2				
R 150 ANSI	2.50	3.47	3.25	4.19	7.12	6.50	R 150 ANSI	64	88	83	106	181	165
RR 300 ANSI	3.12	3.78	3.75	4.69	7.81	7.25	RR 300 ANSI	79	96	95	119	198	184
RRR Grooved	2.75	2.94	3.50	5.69	—	—	RRR Grooved	70	75	89	145	—	—
X Pilot System	15.00	17.00	29.00	31.00	33.00	35.00	X Pilot System	381	432	737	787	838	889
Y Pilot System	11.00	12.00	20.00	22.00	24.00	26.00	Y Pilot System	279	305	508	559	610	660
Z Pilot System	11.00	12.00	20.00	22.00	24.00	26.00	Z Pilot System	279	305	508	559	610	660

Pilot System Specifications

Temperature Range

Water: to 180°F

Fluids

Air, water, light oils

Rubber Parts

Buna-N® Synthetic Rubber

Solenoid Control*

Body:

Brass ASTM B283

Enclosure:

NEMA Type 1, 2, 3, 3S, 4, 4X general purpose watertight

NEMA Type 6, 6P, 7, 9 watertight

Explosion Proof available at extra cost

Voltages:

110, 220 -50Hz AC

24, 120, 240, 480 - 60Hz AC

6, 12, 24, 120, 240 - DC

Others available at extra cost

Max. operating pressure differential: 200 psi

Coil:

Insulation molded Class

F

Watts AC

6

AC Volt Amps Inrush

30

AC Volt Amps Holding

16

Watts DC

10.6

Solenoid Manual operator included.

UL / ULC Listed 100G/2100G

Hytrol Main Valve: 3" - 12"

*Optional material available for Seawater Service

When Ordering, Please Specify

- Catalog No. 134-05
- Valve Size
- Pattern - Globe or Angle
- Pressure Class
- Threaded, Flanged or Grooved
- Material Desired
- Energized or De-energized to Open Main Valve
- Solenoid Enclosure, Voltage & Hertz
- When Vertically Installed