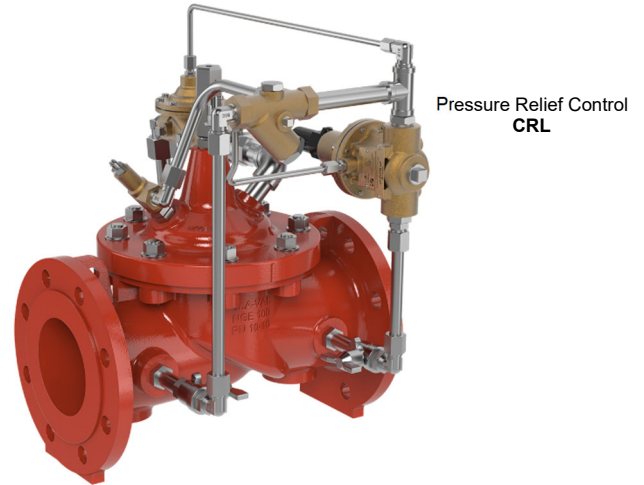


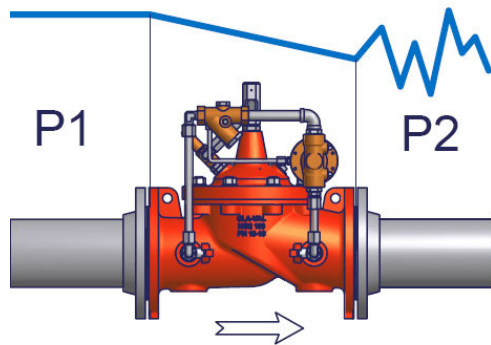
► Simple, Reliable and Accurate

- Completely Automatic Operation
- Easy Adjustment and Maintenance
- Quality Approved Materials
- World Wide Support



Pressure Relief Control
CRL

► CLA-VAL SERIES 50 Main Function



The CLA-VAL SERIES 50 Sustaining Valve accurately maintains a minimum preset (Pressure Relief Control) inlet pressure regardless of changing flow rate.

The CLA-VAL SERIES 50 Relief Valve opens fast to dissipate excess system pressure.

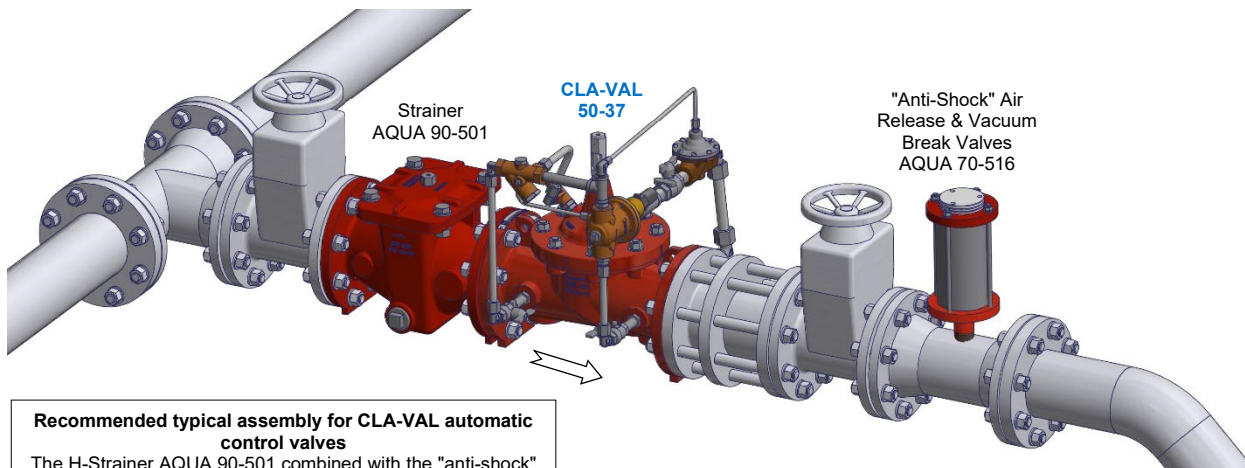
► CLA-VAL 50-37 Typical Application

The CLA-VAL 50-37 is typically installed near a pump on a discharge line. When pumping systems are started and stopped gradually, harmful surges do not occur. However, should a power failure take place, the abrupt stopping of the pump can cause dangerous surges in the system which could result in severe equipment damage.

Make your valve even Better!

<i>LFS Option?</i>	<u>Control</u> Low flows or night flows
<i>KO Option?</i>	<u>Extend</u> valve life with Anti-Cavitation trim
<i>KG1 Option?</i>	<u>Use</u> stem cleaning for harsh water
<i>Maintenance?</i>	<u>Check</u> on periodic maintenance
<i>Environment?</i>	<u>Adapt</u> to high temperatures or frost risk
<i>Security?</i>	<u>Add</u> hydraulic safety back-up to your valve
<i>Protection?</i>	<u>Remove</u> excessive system overpressures
<i>Corrosion?</i>	<u>Protect</u> your valve with upgraded materials

Not just Products but Solutions: contact CLA-VAL!



Recommended typical assembly for CLA-VAL automatic control valves

The H-Strainer AQUA 90-501 combined with the "anti-shock" air release & vacuum break valve AQUA 70-516 are added system products for the best CLA-VAL regulation.